

ABSOLUTE MAXIMUM RATINGS

Item	Symbol	Min.	Max.	Unit
Supply Voltage(Logic)	Vdd - Vss	-0.3	5.5	V
Supply Voltage(LCD)	Vdd - V0	-0.3	10.0	V
Input Voltage	Vi	-0.3	Vdd + 0.3	V
Operating Temp.	ToPr	-10	60	°C
Storage Temp.	Tstg	-20	70	°C

MECHANICAL DATA

Item	Max.	Unit
Module Size(W X H X T)	79.0 X 28.0 X 7.5	mm
Viewing Area(W X H)	60.5 X 18.0	mm
Dot Pitch(W X H)	0.4 X 0.4	mm
Dot Size(W X H)	0.36 X 0.36	mm
View Angle	6 or 12 O'Clock	

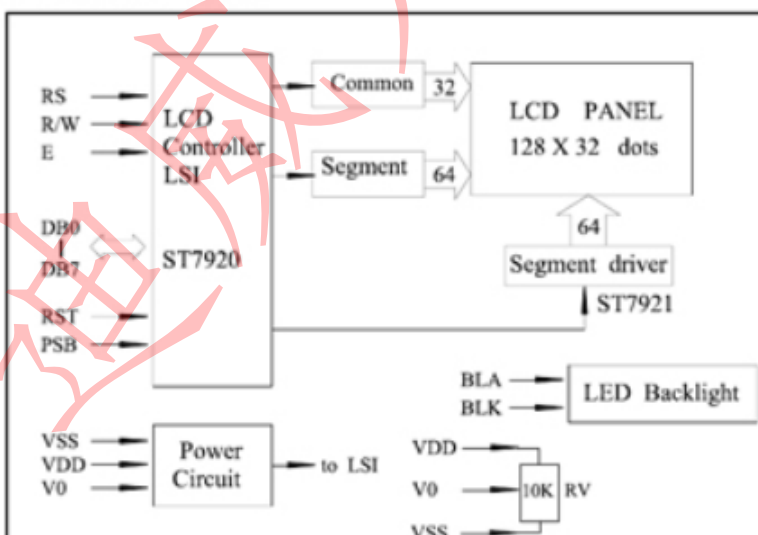
ELECTRICAL CHARACTERISTICS (Vdd=5V±0.25V)

Item	Symbol	Test Condition	Min.	Typ.	Max.	Unit
Input High Voltage	Vih	--	2.0	--	Vdd	V
Input Low Voltage	Vil	--	0.5	--	0.8	V
Output High Voltage	Voh	Ioh=-0.2mA	2.4	--	Vdd	V
Output Low Voltage	Vol	Iol=-1.5mA	0	--	0.4	V
Supply Current	Idd	Vdd=5.0V	--	5.0	3.0	mA
LCD Driving Voltage	Vdd - V0	Ta=25°C	--	4.7	--	V

PIN CONNECTIONS

Pin	Symbol	Level	Function
1	VSS	0V	Power GND
2	VDD	3.3V	Power supply for logic
3	V0	--	Operation voltage for LCD
4	RS(CS)	H/L	H:Data L:Instruction code
5	R/W(SID)	H/L	H:Read L:Write
6	E(CLK)	H/L	Enable signal
7	DB0	H/L	Data bus line
8	DB1	H/L	
9	DB2	H/L	
10	DB3	H/L	
11	DB4	H/L	
12	DB5	H/L	
13	DB6	H/L	
14	DB7	H/L	
15	PSB	H/L	H:Paraller mode L: Serial mode
16	RST	L	Reset signal, active"L"
17	BLA	+3.3V	Power supply for LED backlight
18	BLK	0V	

BLOCK DIAGRAM



LCD Type

LCD Color	Backlight
Blue	LED/White/3.1V (<30mA)