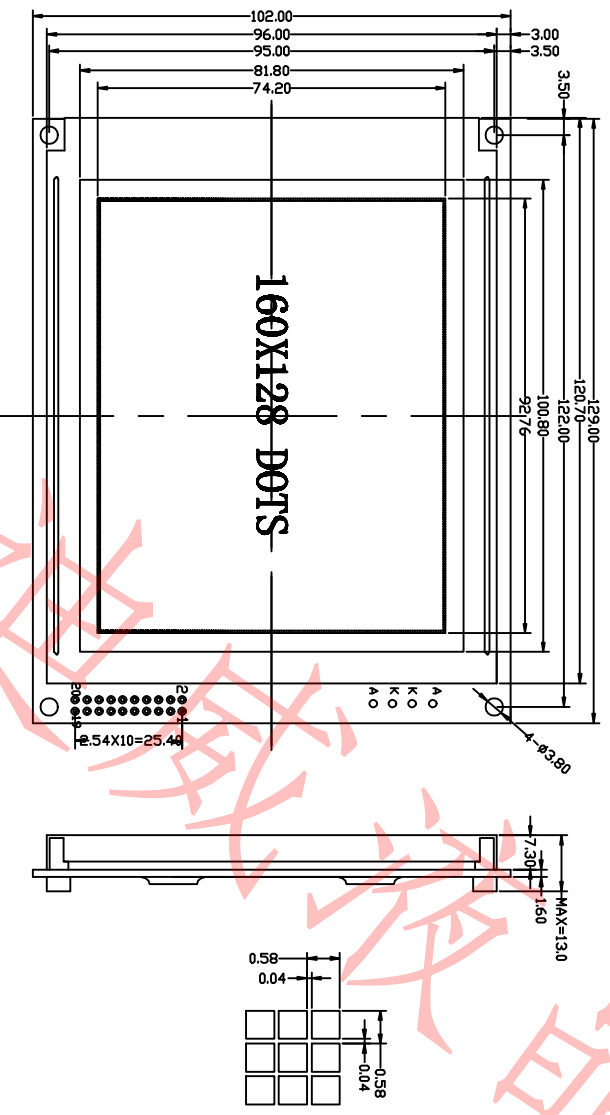
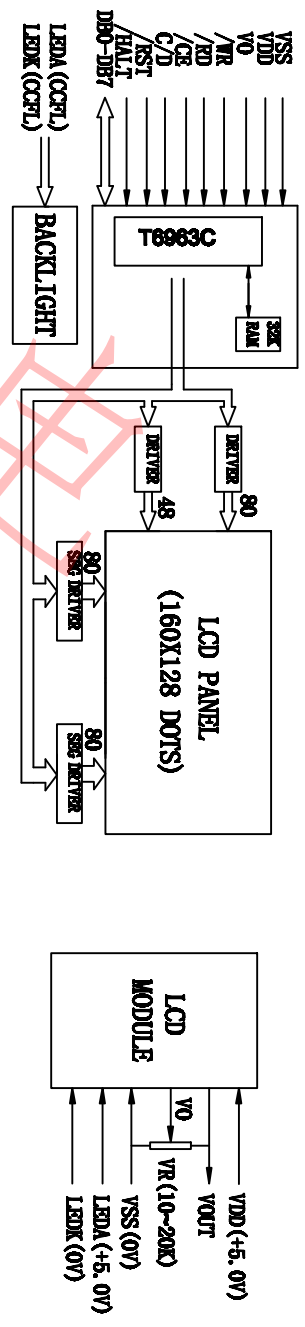


DV160128A1 Series

1: OUTLINE DIMENSIONS



2: BLOCK DIAGRAM & POWER SUPPLY



3: MECHANICAL SPECIFICATIONS &

FEATURE	NORMAL DIMENSIONS (UM)	FEATURE
MODULE SIZE (W*H*T)	129.0 X102.0 X 13.0	LCD TYPE
VIEW AREA (W*H)	100.8 X 81.8	LCD COLOUR
DOTSDOTS (W*H)	160 X 128	VIEW ANGLE
DOT PITCH (W*H)	0.58 X 0.58	DISPLAY TYPE
DOT SIZE (W*H)	0.54 X 0.54	REAR POLARIZER
		OPERATING TEMPERATURE
		LED: WHITE , YELLOW-GREEN CTRL. WHITE WITHOUT

4: ELECTRICAL

CHARACTERISTICS	SYMBOL	TEST CONDITION	MIN	TYP	MAX	UNIT
OPERATING VOLTAGE	VDD	Ta=25°C	—	5.0	—	V
OPERATING VOLTAGE FOR LCD	VLCD	Ta=25°C	—	13.0	—	V
SUPPLY CURRENT	IDD	Ta=25°C, VDD=5.0V	—	15.0	20.0	MA
SUPPLY CURRENT FOR BACKLIGHT (LEO)	IF	Ta=25°C, VIF=5.0V	—	110	—	MA

5: INTERFACE PIN CONNECTIONS

PIN NO	SYMBOL	DESCRIPTION
1	FG	FRAME GROUND
2	VSS	GROUND FOR LOGIC
3	VDD	POWER SUPPLY FOR LOGIC
4	VLCD	Operating voltage for LCD
5	/WR	Data read
6	/RD	Data read
7	/CE	Chip enable for the module
8	C/D	REGISTER SELECT SIGNAL
9	N/C	NO connection
10	/RST	Controller reset(module rest)
11-18	DB0-DB7	Data bus (D7-MSB, D0-LSB)
19	FS	Font select: already connected to Vss (8*8 dots font)
20	N/C	NO connection