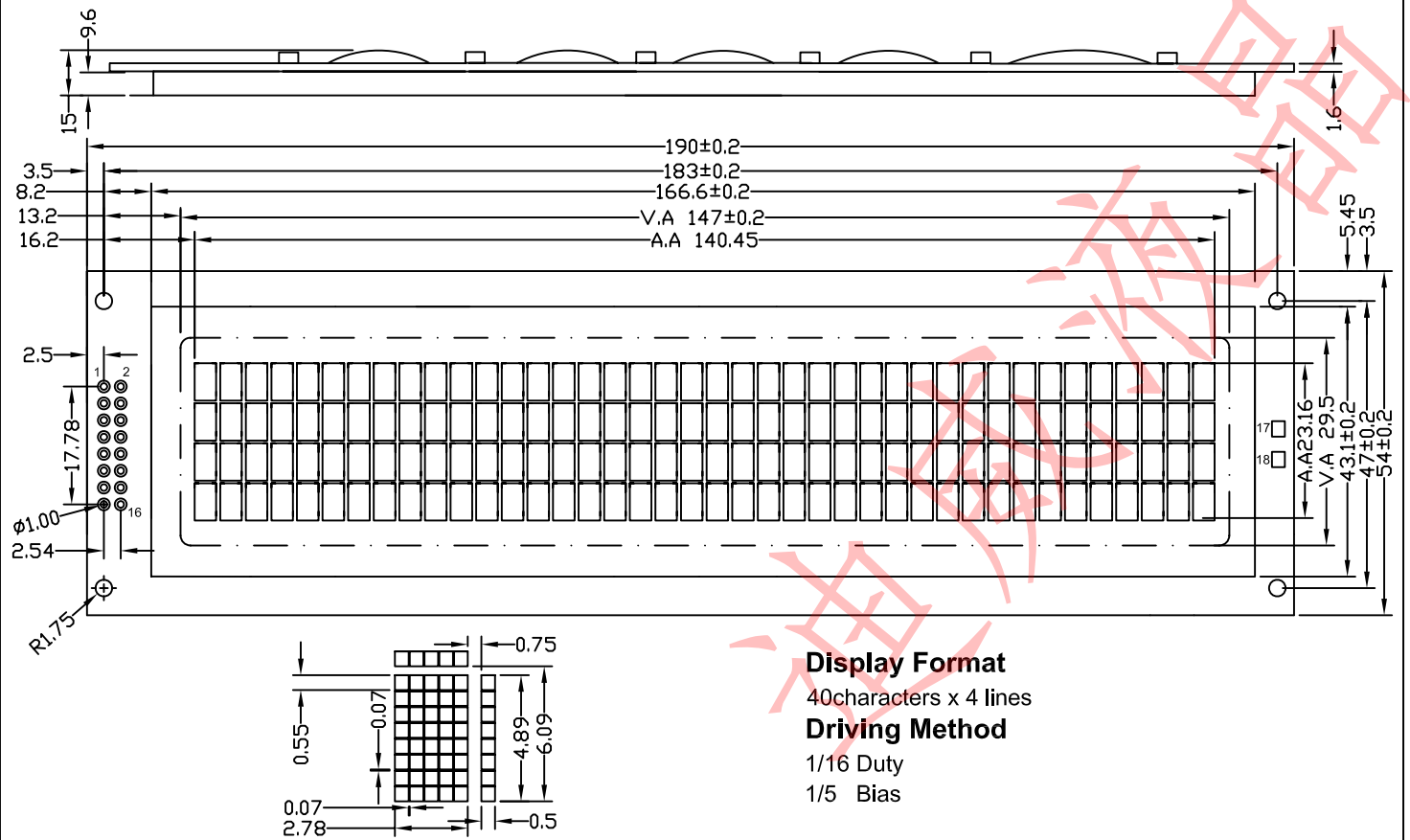


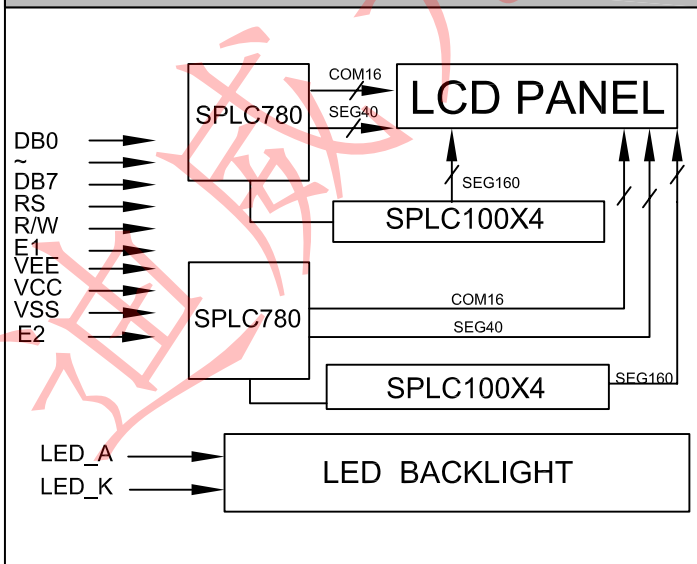
① PHYSICAL DIMENSION



② MECHANICAL DATA

ITEM	SPECIFICATION	UNIT
Module Size With B/L (W X H X T)	190 X 54 X 15	mm
Viewing Area (W X H)	147X 29.5	mm
Number of Characters (W X H)	40X 4	characters
Dot Pitch (W X H)	0.57x0.62	mm
Dot Size (W X H)	0.5 X 0.55	mm
Weight	70.0 (With B/L)	g

④ BLOCK DIAGRAM



③ PIN CONFIGURATION

ITEM	SYMBOL	DESCRIPTION
1	DB7	Data bus [0~7]. There state I/O common terminal.
8	DB0	
9	E1	Enable trigger.
10	R/W	H:Read L:Write
11	RS	H:Data L:Instruction Code
12	VEE	Negative voltage Supply for LCD
13	VSS	Power ground
14	VCC	Power positive (+5V+10%).
15	E2	Enable trigger.
16	NC	NO Connect
15	LED_A	BACKLIGHT ANODE(+5V) .
16	LED_K	BACKLIGHT CATHODE (0V).

⑤ ABSOLUTE MAXIMUM RATINGS (25°C)

PARAMETER	SYMBOL	MIN.	MAX.	UNIT
SUPPLY VOLTAGE LOGIC	VDD	0	5.5	V
SUPPLY VOLTAGE DRIVER	VDD-VEE	0	9	V
INPUT VOLTAGE	VIN	0	VDD	V